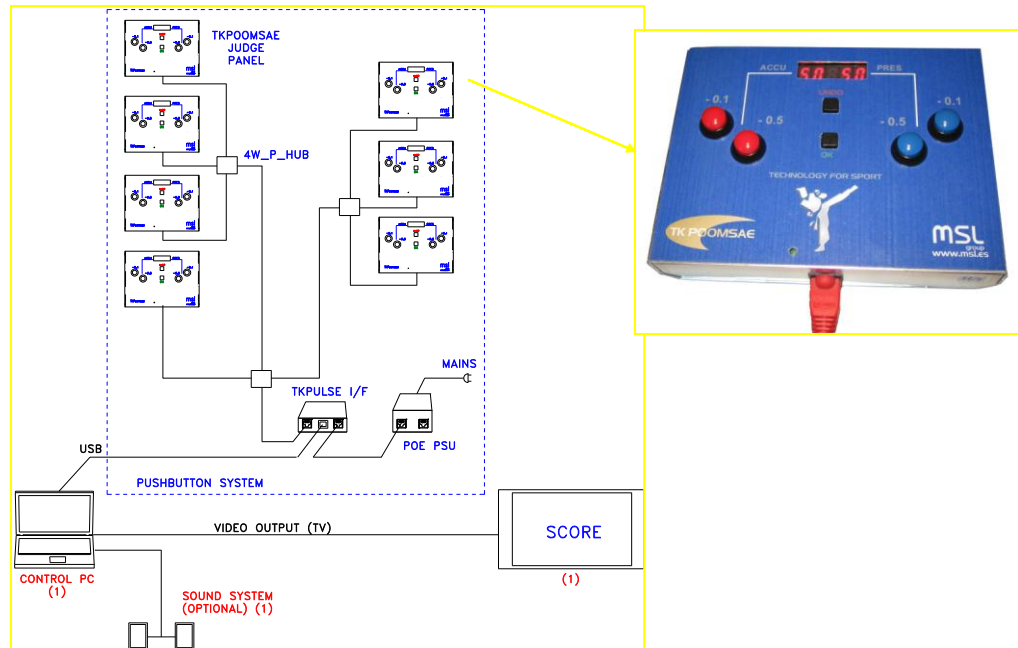


# TK POOMSAE

Judge's Electronic Scoring System



TKPoomsae is a system designed to manage Taekwondo Poomsae competitions following the WTF rules



(1) to be supplied by the customer

## KEY FEATURES

- Tactile and sound feedback from the Judge's Push-Button Scoring devices
- Export and Import of competition data
- Multiple possibilities for competition configuration
- Logging of all data taking place during the contest
- User-friendly operation
- Open protocol to connect to configuration management systems.

## SOFTWARE TECHNICAL SPECIFICATIONS

- **Competition Configuration Parameters**  
Rounds, accumulation points and selection of the number of competitors of each phase
- **Warning sounds**
- **Saving of all kinds of Data Entry** (including Judges' Push-Button System)
- **Invalidation of any Data Entry**
- **Timers**

## PC Requirements

- **Operative system: Windows 2000, XP, Vista or 7.**
- **Multi-monitor graphics card with extended desktop capabilities.** (Main VGA output for the operator and secondary output [VGA or composite, NTSC or PAL, for the scoreboard).
- **USB Port.**



MSL SOFTWARE S.L.  
Conde de Vilches, 16  
28028 Madrid (Spain)  
T- (34) 917 249 200  
F- (34) 917 249 206  
[tkpulse@tkpulse.com](mailto:tkpulse@tkpulse.com)  
[www.tkpulse.com](http://www.tkpulse.com)